

Barn

Material list

Lumber

- qty 68
- qty 9 2x4
- qty 4 2x4
- qty 4 2x4
- qty 2 2x6x10'
- qty 15 1x4x8'
- qty 2 1x4x12'
- qty 6 plywood 4'
- qty 9 plywood 4'
- qty 19 Siding, exterior
- qty 3 4x4 treated skids
- qty 13 2x6x12' Treated
- qty 2 2x6x16' Treated

Hardware/roofing

- qty 10 shingles 33-1/3sf bundles
- qty 1 Roll roofing felt (optional)
- qty 8 1-1/2" drip edging (optional)
- qty 6 3" "T" hinges
- qty 1 4" Door Hasp
- qty 2 3" barrel bolts

Requirements are approximate

- galvanized 5d nails (siding and rib gussets)
- 12d nails (framing)
- galvanized 6d ring nails (floor)
- galvanized roofing nails

(Other material is _____ length if necessary.)

Rib rafter assemblies qty 9

- qty 18 2x4x48" **14 /22.5 deg**
- qty 18 2x4x50" **31 /22.5 deg**
- cut from 2x4x10' boards**

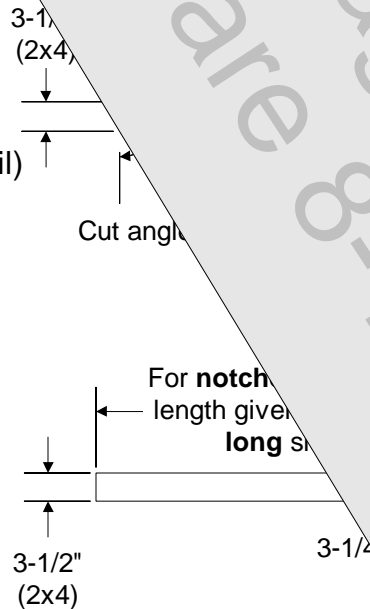
- qty 48 Gussets (See gusset detail)

Walls (16" stud centers)

- qty 48 2x4x89-1/2" studs
- qty 4 2x4x144" end plates
- qty 2 2x4x96" end top plates
- qty 4 2x4x26" end top plates
- qty 4 2x4x185" side plates
- qty 2 2x6x185" side top plate

Top End Walls

- qty 4 2x4x25-1/4" **notched**
- qty 4 2x4x43" **notched**
- qty 4 2x4x47-3/4" **notched**
- qty 4 2x4x50-1/2" **notched**
- qty 4 2x4x17-1/2" door header
- qty 1 2x4x48" door header



Roof

- qty 4 4"x8' ply

Floor (16" joist centers)

- qty 13 2x6x141" treated
- qty 2 2x6x192" treated



Trim lengths are approximate Measure building and cut to size

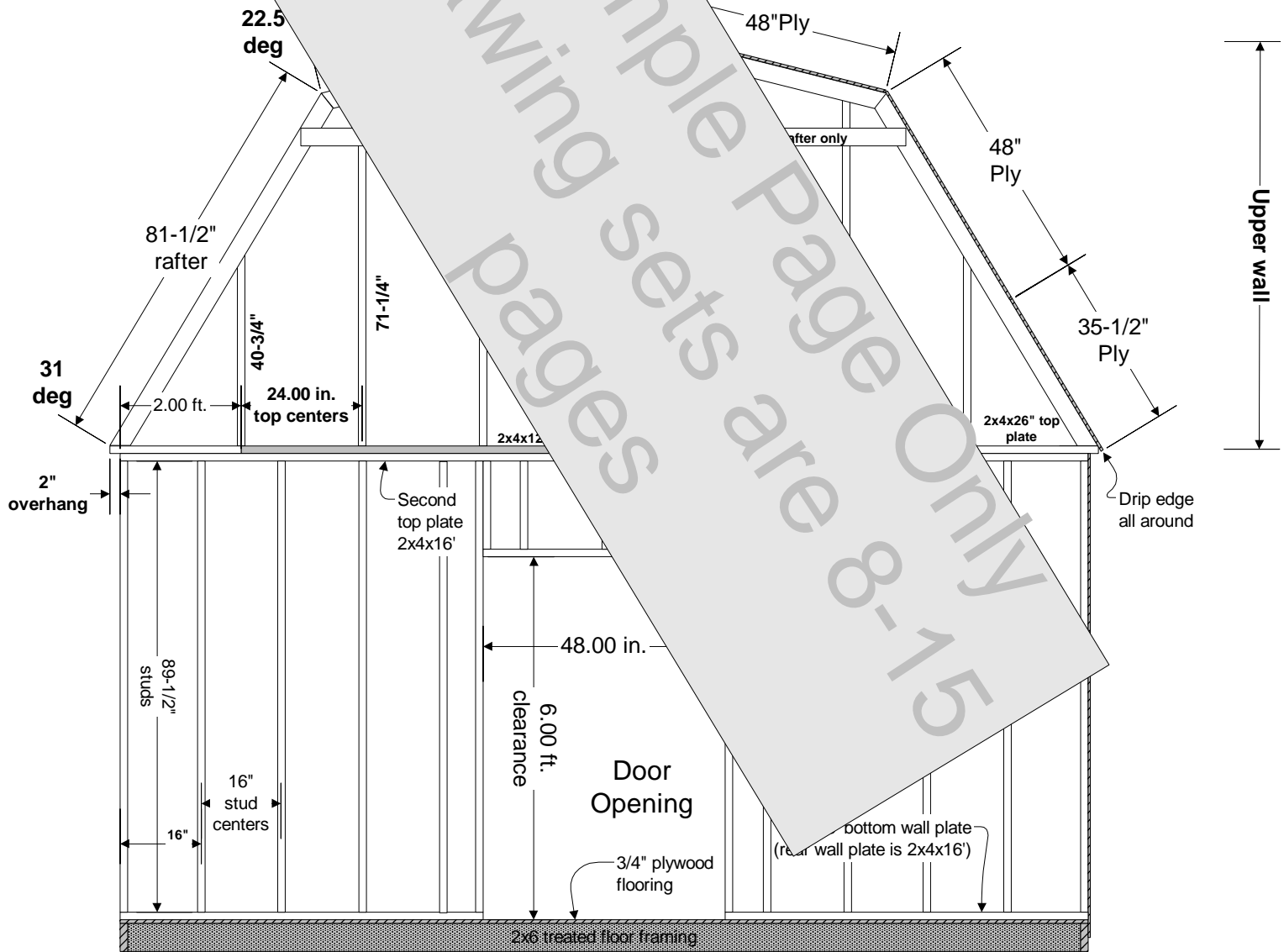
- qty 8 1x4x8' corners cut to fit
- qty 2 1x4x75-1/2" door side trim
- qty 1 2x4x57" door top trim
- qty 2 1x4x12' Siding butt trim

EveTrim

- qty 4 2x4x48-1/4" **14 /22.5 deg**
- qty 4 2x4x52-1/2" **32 /22.5 deg**

- qty 4 1x4x66"
- qty 4 1x4x23-3/4"
- qty 2 1x4x16-3/4"
- qty 2 Siding 23-3/4"x 73"

12' wall Barn Assembly



Adjust door header length, stud locations, and bottom wall plate lengths for different size doors.

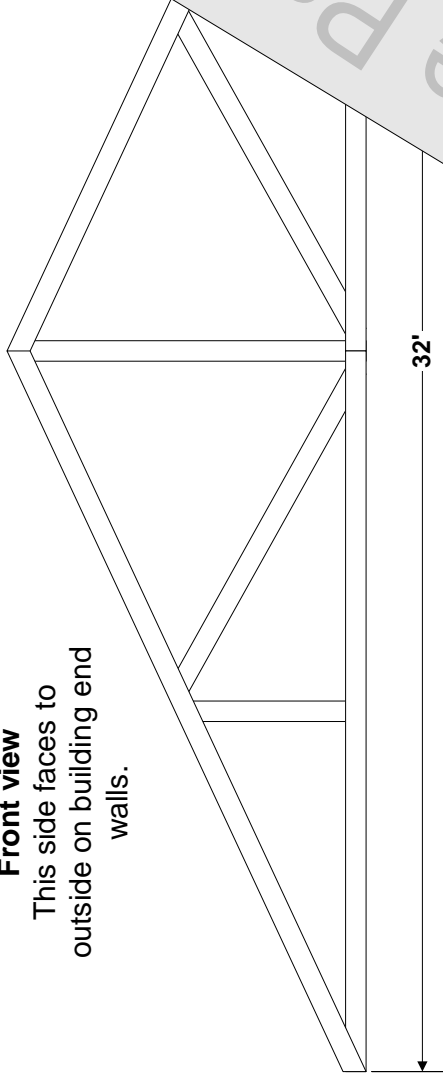
TIP - Door **clearance** should be approximately 1/2" to 5/8" larger than actual measured door size.

Carefully assemble trusses and nail together with 16d nails.
Tip - Most critical dimension is the 32' span.

Pole Building
6/12 Slope

Front view

This side faces to outside on building end walls.



Back View

17' 7-7/8" 2x6 rafter

8' 3-1/2" 2x6

4' 2x6

16' 2x6

8'

36" 2x6

Place this over the diagonal & vertical 2x6's. Nail with 16d nails

Sample Page Only
Drawing sets are 8-15

